



USER MANUAL

Keep This Manual For Future Needs

Table of contents

Caution!	3
Introduction	3
Safety instructions	3
Fixture overview	4
Installation	4
Read 'Safety information' before installing the fixture.....	4
Fastening the fixture to a flat surface.....	5
Mounting the fixture on a truss	5
Securing with a safety cable	6
DMX-512 connection/connection between fixtures	6
Operation	7
Addressing.....	7
Universal DMX Control.....	7
Auto run mode.....	8
Sound Mode	8
Master-Slave Operation	8
Control Menu Map	8
DMX Protocol	9
Fixture Cleaning	15
Fuse Replacement	15
Troubleshooting	15
The fixture does not work, no light.....	15
No response to the sound	15
Specifications	16

Caution!



Be careful with your operations. With a dangerous voltage you can suffer a dangerous electric shock when touching the wires!



Avoid looking directly into the light source!

Wear protective glasses and other PPE (personal protective equipment) when working on or near the fixture.



Always make sure you are connecting this product to the proper voltage in accordance with the specifications in this manual or on the product's specification label. Make sure it is grounded when using it!

Unplug mains lead before opening the housing!

Make sure that the power cord is never crimped or damaged by sharp edges. Check the fixture and the powercord from time to time.

Make sure to replace the fuse with another of the same type and rating.



For your own safety, please read this user manual carefully before you initial start-up.

Follow operating safety precautions and pay attention to warning signs methods and equipment on the user manual.



Warning! This symbol indicates a hot surface. Certain parts of the housing can become hot during operation. After use, wait for a cool-down period of at least 10 minutes before handling or transporting the device.



Indoor use only! To prevent risk of fire or shock, do not expose this product to rain or moisture. IP 20 rating.

The ambient temperature must always be between -5° C and +45° C.

Every person involved with the installation, operation and maintenance of this device has to

- be qualified
- follow the instructions of this manual
- consider this manual to be part of the total product
- keep this manual for the entire service life of the product
- pass this manual on to every further owner or user of the product
- download the latest version of the user manual from the Internet

Introduction

Thank you for having chosen B-19. You will see you acquired a powerful and versatile device.

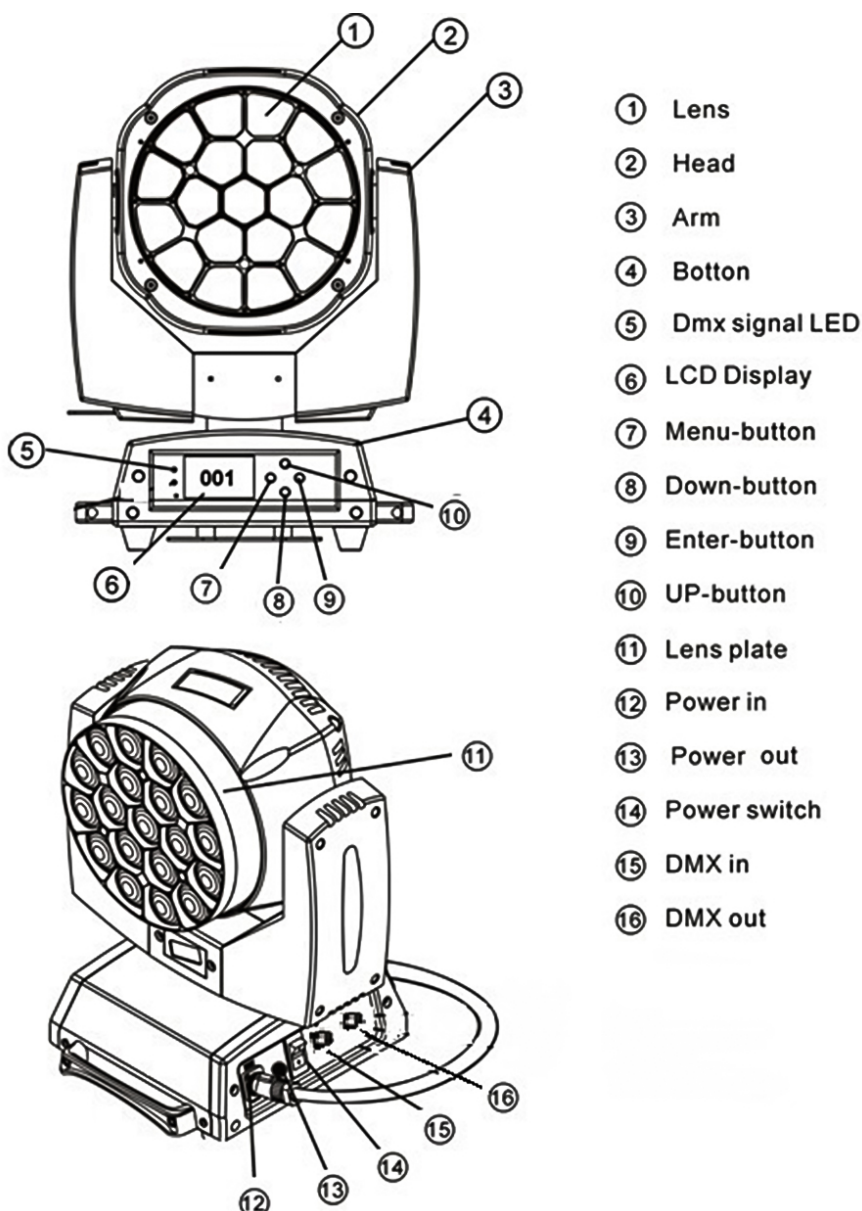
Unpack your item. Before you initial start-up, please make sure that there is no damage caused by transportation. Should there be any, consult your dealer and do not use the device.

Safety instructions

This fixture is an extremely sophisticated piece of electronic equipment. To guarantee a smooth operation, it is important to follow the guidelines in this manual. The manufacturer of this device will not accept responsibility for damages resulting from the misuse of this fixture due to the disregard of the information printed in this manual.

This device has left our premises in absolutely perfect condition. Always disconnect from the mains, when the device is not in use or before cleaning it. Keep away children and amateurs from the device! There are no serviceable parts inside the device. Maintenance and service operations are only to be carried out by authorized dealers.

Fixture overview



Installation

Read 'Safety information' before installing the fixture

The fixture is designed for indoor use only and must be used in a dry location with adequate ventilation. Ensure that none of the fixture's ventilation slots are blocked.

Fasten the fixture to a secure structure or surface. Do not stand it on a surface or leave it where it can be moved or fall over. If you install the fixture in a location where it may cause injury or damage if it falls, secure it as directed in this user manual using a securely anchored safety cable that will hold the fixture if the primary fastening method

fails.

Fastening the fixture to a flat surface

The fixture can be fastened to a hard, fixed, flat surface that is oriented at any angle. Ensure that the surface and all fasteners used can support at least 10 times the weight of all fixtures and equipment to be installed on it.

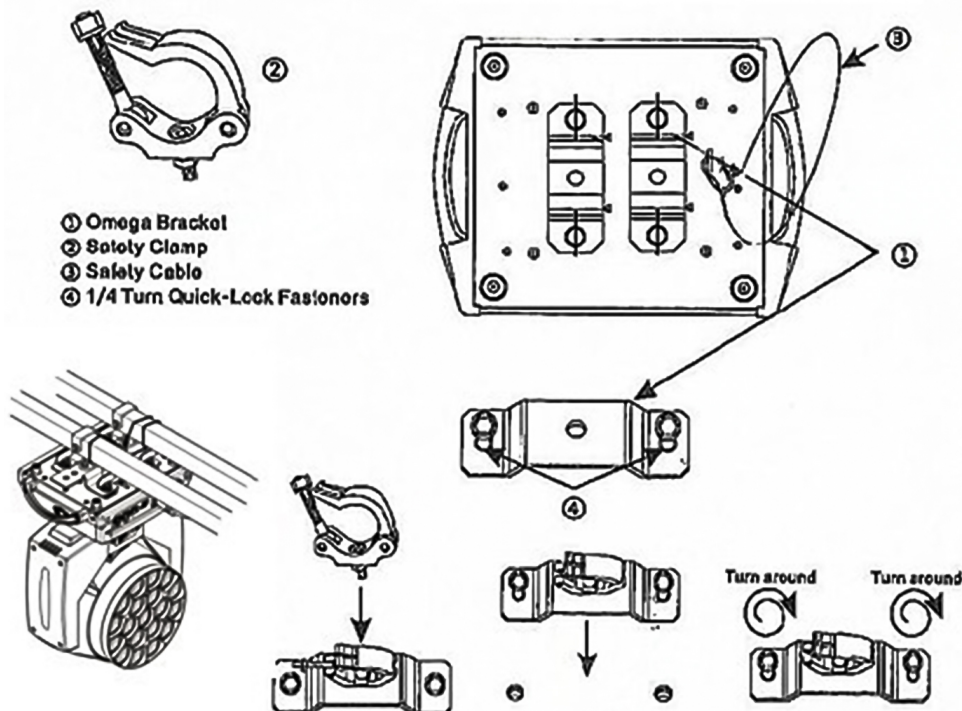
Fasten the fixture securely. Do not stand it on a surface or leave it where it can be moved or fall over. If you install the fixture in a location where it may cause injury or damage if it falls, secure it as directed below with a securely anchored safety cable that will hold the fixture if the primary fastening method fails.

Mounting the fixture on a truss

The fixture can be clamped to a truss or similar rigging structure in any orientation. When installing the fixture hanging vertically down, you can use an open-type clamp such as a G-clamp. When installing in any other orientation, you must use a half-coupler clamp that completely encircles the truss chord.

To clamp the fixture to a truss:

1. Check that the rigging structure can support at least 10 times the weight of all fixtures and equipment to be installed on it.
2. Block access under the work area.
3. Fold the legs of the mounting bracket together and bolt a rigging clamp securely to the mounting bracket. The bolt used must be M10. It must pass through both mounting bracket legs and be fastened with a self-locking nut.
4. Working from a stable platform, hang the fixture with its clamp on the truss and fasten the clamp securely.
5. Secure the fixture with a safety cable as directed below.



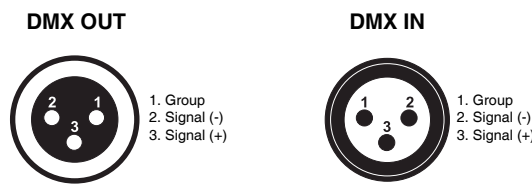
Securing with a safety cable

Secure the fixture with a safety cable (or other secondary attachment) that is approved for the weight of the fixture so that the safety cable will hold the fixture if a primary attachment fails.

Loop the safety cable through the eyebolt in the back of the fixture and around a secure anchoring point. Do not loop the safety cable around the fixture’s mounting bracket only, as this will leave the fixture unsecured if it separates from the bracket.

DMX-512 connection/connection between fixtures

Occupation of the XLR-connection:



If you are using controllers with this occupation, you can connect the DMX-output of the controller directly with the DMX-input of the first fixture in the DMX-chain. If you wish to connect DMX-controllers with other XLR-outputs, you need to use adapter-cables.

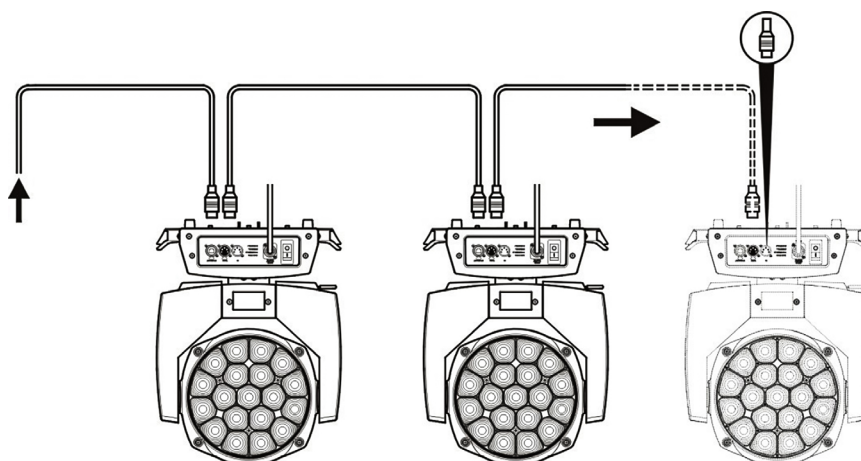
Building a serial DMX-chain:

Connect the DMX-output of the first fixture in the DMX-chain with the DMX-input of the next fixture. Always connect one output with the input of the next fixture until all fixtures are connected.

DMX-512 connection with DMX terminator:

For installations where the DMX cable has to run a long distance or is in an electrically noisy environment, such as in a discotheque, it is recommended to use a DMX terminator. This helps in preventing corruption of the digital control signal by electrical noise. The DMX terminator is simply an XLR plug with a 120 resistor connected between pins 2 and 3, which is then plugged into the output XLR socket of the last fixture in the chain.

Caution: At the last fixture, the DMX-cable has to be terminated with a terminator. Solder a 120 resistor between Signal (-) and Signal (+) into a 3-pin XLR-plug and plug it in the DMX-output of the last fixture.




Connection with the mains:

The B-19 is equipped with auto-switching power supply that automatically adjusts to any 50-60Hz AC power source from 100-240 Volts.

This fixture must be earthed. To use the fixture, a plug must be fixed.
The correct assembly of a sufficient plug may be done by professional persons only.
Connect the device to the mains with the enclosed power supply cable.

The occupation of the connection cables as below:

Cable color	Connection	International
Brown	Live	L
Blue	Neutral	N
Yellow/green	Earth(Ground)	

Operation

The B-19 can operate in three different modes. In each mode you can run the fixture as a stand alone fixture or in a master/slave configuration. This next section will detail the differences in the operating modes.

Addressing

All fixtures should be given a DMX starting address when using a DMX signal, so that the correct fixture responds to the correct control signals. This digital starting address is the channel number from which the fixture starts to listen to the digital control information sent out from the DMX controller. The allocation of this starting address is achieved by setting the correct number on the display located on the base of the device.

You can set the same starting address for all fixtures or a group of fixtures, or make different address for each fixture individually.

If you set the same address, all the units will start to listen to the same control signal from the same channel number. In other words, changing the settings of one channel will affect all the fixtures simultaneously.

If you set a different address, each unit will start to listen to the channel number you have set, based on the quantity of control channels of the unit. That means changing the settings of one channel will affect only the selected fixture.

In the case of the B-19, which is 21/23/35/78/92/97/99 channels fixture. If you set, for example, the address in the 21 channel mode to channel 22, the device will use the channel 22 to 42 for control.

Universal DMX Control

This function allows you to use a universal DMX-512 controller to control the chases and patterns, dimmer and strobe. A DMX controller allows you to create unique programs tailored to your individual needs.

Auto run mode

In this mode, you can run internal program without a controller.

1. Press the MENU button until "**RUN**" is displayed, and press ENTER.
2. Press the UP or DOWN button so that "**Run mode**" is displayed.
3. Press the UP or DOWN button to select "**Test**", "**Fast**" or "**Slow**".
4. The unit will now run auto mode without a DMX controller.

Sound Mode

This mode allows either single unit or several units linked together, to run to the beat of the music.

1. Press the MENU button until "**RUN**" is displayed, and press ENTER.
2. Press the UP or DOWN button so that "**Sound**" is displayed.
3. The unit will now run to the beat of the music.
4. Adjust sound sensitivity in "**Sound Sense**"

Master-Slave Operation

This function will allow you to link up to 16 units together and operate without a controller. In a Master-Slave set up one unit will act as the controlling unit and the others will react to the controlling units programs. Any unit can act as a Master or as a Slave.

1. Using approved DMX data cables, daisy chain your units together via the XLR connector on the rear of the units.
2. For the Master unit press the **Run mode- Fast / Slow**.
3. For the slave units press the **DMX address** icon in the touch screen. Set the DMX address to 001.
4. The slave units will now follow the Master unit.

Control Menu Map

Default settings=**bold** print

Main Menu	Level 1	Level 2	Function
DMX Settings	DMX512 Address	001 - 512	DMX address setting
	Channel settings	21/23/35/78/92/97/99	DMX channel modes
Run Mode	DMX		Run mode, DMX 512
	Test		Run mode, test
	Manual		Run mode, manual setting
	Sound		Run mode, sound activate
	Fast		Run mode, auto program, fast
	Slow		Run mode, auto program, slow
Invert PAN/TILT	Invert PAN	Yes / No	Pan reverse
	Invert TILT	Yes / No	Tilt reverse
Display Set	Invert Word	Yes / No	Display reverse
	English/Chinese	EN / CH	Language
	LCD Backlight On	Yes / No	LCD backlight

Manual Set	PAN	000 - 255	Manual settings
	TILT	000 - 255	
	ROTATION	000 - 255	
	ZOOM	000 - 255	
	DIM	000 - 255	
	STROBE	000 - 255	
	DIM_R	000 - 255	
	DIM_G	000 - 255	
	DIM_B	000 - 255	
	DIM_W	000 - 255	
Sound Sense	0 - 100%		Sound sensitivity
System Set	System information	The version: xx	Software version
	Default Settings	Yes?	Set to default settings
	Code Settings	Enter your 4 codes!	Password
Reset	Yes?		Reset

DMX Protocol

21 CH mode	Function	DMX value	Function Control
1	Red	000-255	0-100% Red dimmer
2	Red Fine	000-255	Red fine control
3	Green	000-255	0-100% Green dimmer
4	Green Fine	000-255	Green fine control
5	Blue	000-255	0-100% Blue dimmer
6	Blue Fine	000-255	Blue fine control
7	White	000-255	0-100% White dimmer
8	White Fine	000-255	White fine control
9	CTO	000-255	Color temperature linear control
10	Macro color	000-255	Marco color control
11	Strobe	000-003	Light on
		004-203	Strobe with the same step from slow to fast
		204-255	Random strobe
12	Dimmer	000-255	0-100 linear dimmer from dark to bright
13	Dimmer Fine	000-255	Dimmer fine control
14	Pan	000-255	Pan movement control
15	Pan Fine	000-255	Pan fine control
16	Tilt	000-255	Tilt movement control
17	Tilt Fine	000-255	Pan fine control
18	Function	000-255	Function(reserved)
19	Reset	000-255	No function
		251-255	5 seconds to reset
20	Zoom	000-255	Zoom from narrow to wide beam
21	Zoom Rotation	000-127	0 to 60 degree
		128-191	Unlimited clockwise rotation from fast to slow
		192-255	Unlimited anticlockwise rotation from slow to fast

23 CH mode	Function	DMX value	Function Control
1	Pan	000-255	Pan movement control
2	Pan fine	000-255	Pan fine control
3	Tilt	000-255	Tilt movement control
4	Tilt fine	000-255	Pan fine control
5	Pan/Tilt speed	000-255	Speed from fast to slow
6	Zoom	000-255	Zoom from narrow to wide beam
7	Zoom Rotation	000-127	0 to 60 degree
		128-191	Unlimited clockwise rotation from fast to slow
		192-255	Unlimited anticlockwise rotation from slow to fast
8	Dimmer	000-255	0-100 linear dimmer from dark to bright
9	Strobe	000-003	Light on
		004-203	Strobe with the same step from slow to fast
		204-255	Random strobe
10	Red	000-255	1-100% Red linear dimmer from dark to bright
11	Green	000-255	1-100% Green linear dimmer from dark to bright
12	Blue	000-255	1-100% Blue linear dimmer from dark to bright
13	White	000-255	1-100% White linear dimmer from dark to bright
14	Color	000-255	Linear color temperature control
15	Marco	000-255	Marco color change
16	Static effect	000-255	Each 5 DMX value is a kind of static effect
17	Dynamic effect	000-255	Each 5 DMX value is a kind of dynamic effect
18	Dynamic effect	000-255	Speed from slow to fast,pls operate against 15 CH
19	Reserved function		
20	Reserved function		
21	Reserved function		
22	Reserved function		
23	Reset	000-255	No function
		251-255	5 seconds to reset

35 CH mode	Function	DMX value	Function Control
1	Red	000-255	Red dimmer
2	Red Fine	000-255	Red fine control
3	Green	000-255	Green dimmer
4	Green Fine	000-255	Green fine control
5	Blue	000-255	Blue dimmer
6	Blue Fine	000-255	Blue fine control
7	White	000-255	White dimmer
8	White Fine	000-255	White fine control
9	CTO	000-255	Color temperature linear control
10	Macro colour	000-255	Marco color control
11	Strobe	000-003	Light up
		004-203	Strobe with the same step from slow to fast
		204-255	Random strobe
12	Dimmer	000-255	0-100 linear dimmer from dark to bright
13	Dimmer Fine	000-255	Dimmer fine control
14	Pan	000-255	Pan movement control
15	Pan Fine	000-255	Pan fine control

16	Tilt	000-255	Tilt movement control
17	Tilt Fine	000-255	Pan fine control
18	Blank	000-255	No function
19	Reset	000-250	No function
		251-255	5 seconds to reset
20	Zoom	000-255	Zoom from narrow to wide beam
21	Zoom rotation	000-127	0 to 60 degree
		128-191	Unlimited clockwise rotation from fast to slow
		192-255	Unlimited anticlockwise rotation from fast to slow
22	Shape Selection	000-255	Selecting shape
23	Shape Speed	000-255	Shape speed control
24	Shape Fade	000-255	Shape fade
25	Shape R	000-255	Shape in Red color
26	Shape G	000-255	Shape in Green color
27	Shape B	000-255	Shape in Blue color
28	Shape W	000-255	Shape in White color
29	Shape Dimmer	000-255	Shape dimmer 0-100%
30	Background	000-255	Background dimmer 0-100%
31	Shape Transition	000-255	Shape change
32	Shape Offset	000-255	Shape offset
33	Foreground strobe	000-255	Foreground strobe control
34	Background strobe	000-255	Background strobe control
35	Background selection	000-255	Background selection

78 CH mode	Function	DMX value	Function Control
1	Red	000-255	Red dimmer
2	Red Fine	000-255	Red fine control
3	Green	000-255	Green dimmer
4	Green Fine	000-255	Green fine control
5	Blue	000-255	Blue dimmer
6	Blue Fine	000-255	Blue fine control
7	White	000-255	White dimmer
8	White Fine	000-255	White fine control
9	CTO	000-255	Color temperature linear control
10	Macro colour	000-255	Marco color control
11	Strobe	0-3	Light on
		4-203	Strobe with the same step from slow to fast
		204-255	Random strobe
12	Dimmer	000-255	0-100 linear dimmer from dark to bright
13	Dimmer Fine	000-255	Dimmer fine control
14	Pan	000-255	Pan movement control
15	Pan Fine	000-255	Pan fine control
16	Tilt	000-255	Tilt movement control
17	Tilt Fine	000-255	Pan fine control
18	Blank	000-255	No function
19	Reset	0-250	No function
		251-255	5 seconds to reset
20	Zoom	000-255	Zoom from narrow to wide beam

21	Zoom rotation	000-127	0 to 60 degree
		128-191	Unlimited clockwise rotation from fast to slow
		192-255	Unlimited anticlockwise rotation from slow to fast
22	Red dimmer 1	000-255	LED 1 red dimmer
23	Green dimmer 1	000-255	LED 1 green dimmer
24	Blue dimmer 1	000-255	LED 1 blue dimmer
25	Red dimmer 2	000-255	LED 2 red dimmer
26	Green dimmer 2	000-255	LED 2 green dimmer
27	Blue dimmer 2	000-255	LED 2 blue dimmer
...
...
76	Red dimmer 19	000-255	LED 19 red dimmer
77	Green dimmer	000-255	LED 19 green dimmer
78	Blue dimmer 19	000-255	LED 19 blue dimmer

92 CH mode	Function	DMX value	Function Control
1	Red	000-255	Red dimmer
2	Red Fine	000-255	Red fine control
3	Green	000-255	Green dimmer
4	Green Fine	000-255	Green fine control
5	Blue	000-255	Blue dimmer
6	Blue Fine	000-255	Blue fine control
7	White	000-255	White dimmer
8	White Fine	000-255	White fine control
9	CTO	000-255	Color temperature linear control
10	Macro colour	000-255	Marco color control
11	Strobe	000-003	Light up
		004-203	Strobe with the same step from slow to fast
		204-255	Random strobe
12	Dimmer	000-255	0-100 linear dimmer from dark to bright
13	Dimmer Fine	000-255	Dimmer fine control
14	Pan	000-255	Pan movement control
15	Pan Fine	000-255	Pan fine control
16	Tilt	000-255	Tilt movement control
17	Tilt Fine	000-255	Pan fine control
18	Function	000-255	
19	Reset	000-250	No function
		251-255	5 seconds to reset
20	Zoom	000-255	Zoom from narrow to wide beam
21	Zoom Rotation	000-127	0 to 60 degree
		128-191	Unlimited clockwise rotation from fast to slow
		192-255	Unlimited anticlockwise rotation from fast to slow
22	Shape Selection	000-255	Selecting shape
23	Shape Speed	000-255	Shape speed control
24	Shape Fade	000-255	Shape fade
25	Shape R	000-255	Shape in Red color
26	Shape G	000-255	Shape in Green color
27	Shape B	000-255	Shape in Blue color
28	Shape W	000-255	Shape in White color

29	Shape Dimmer	000-255	Shape dimmer 0-100%
30	Background Dimmer	000-255	Background dimmer 0-100%
31	Shape Transition	000-255	Shape change
32	Shape Offset	000-255	Shape offset
33	Foreground strobe	000-255	Foreground strobe control
34	Background strobe	000-255	Background strobe control
35	Background select	000-255	Background selection
36	Red dimmer 1	000-255	LED 1 red dimmer
37	Green dimmer 1	000-255	LED 1 green dimmer
38	Blue dimmer 1	000-255	LED 1 blue dimmer
39	Red dimmer 2	000-255	LED 2 red dimmer
40	Green dimmer 2	000-255	LED 2 green dimmer
41	Blue dimmer 2	000-255	LED 2 blue dimmer
...
...
90	Red dimmer 19	000-255	LED 19 red dimmer
91	Green dimmer 19	000-255	LED 19 green dimmer
92	Blue dimmer 19	000-255	LED 19 blue dimmer

97 CH mode	Function	DMX value	Function Control
1	Red	000-255	Red dimmer
2	Red Fine	000-255	Red fine control
3	Green	000-255	Green dimmer
4	Green Fine	000-255	Green fine control
5	Blue	000-255	Blue dimmer
6	Blue Fine	000-255	Blue fine control
7	White	000-255	White dimmer
8	White Fine	000-255	White fine control
9	CTO	000-255	Color temperature linear control
10	Macro colour	000-255	Marco color control
11	Strobe	000-003	Light on
		004-203	Strobe with the same step from slow to fast
		204-255	Randon strobe
12	Dimmer	000-255	0-100 linear dimmer from dark to bright
13	Dimmer Fine	000-255	Dimmer fine control
14	Pan	000-255	Pan movement control
15	Pan Fine	000-255	Pan fine control
16	Tilt	000-255	Tilt movement control
17	Tilt Fine	000-255	Pan fine control
18	Blank	000-255	No function
19	Reset	000-250	No function
		251-255	5 seconds to reset
20	Zoom	000-255	Zoom from narrow to wide beam
21	Lens Rotation	000-127	0 to 60 degree
		128-191	Unlimited clockwise rotation from fast to slow
		192-255	Unlimited anticlockwise rotation from fast to slow
22	Red dimmer 1	000-255	LED 1 red dimmer
23	Green dimmer 1	000-255	LED 1 green dimmer
24	Blue dimmer 1	000-255	LED 1 blue dimmer

25	White dimmer 1	000-255	LED 1 white dimmer
...
...
94	Red dimmer 19	000-255	LED 19 red dimmer
95	Green dimmer 19	000-255	LED 19 green dimmer
96	Blue dimmer 19	000-255	LED 19 blue dimmer
97	White dimmer 19	000-255	LED 19 white dimmer

99 CH mode	Function	DMX value	Function Control
1	Pan	000-255	Pan movement control
2	Pan fine	000-255	Pan fine control
3	Tilt	000-255	Tilt movement control
4	Tilt fine	000-255	Pan fine control
5	Pan/Tilt speed	000-255	Speed from fast to slow
6	Zoom	000-255	Zoom function
7	Lens rotation	000-127	0 to 60 degree
		128-191	Unlimited clockwise rotation from fast to slow
		192-255	Unlimited anticlockwise rotation from fast to slow
8	Dimmer	000-255	0-100 linear dimmer from dark to bright
9	Strobe	000-003	Light on
		004-203	Strobe with the same step from slow to fast
		204-255	Randon strobe
10	Red	000-255	1-100% Red linear dimmer from dark to bright
11	Green	000-255	1-100% Green linear dimmer from dark to bright
12	Blue	000-255	1-100% Blue linear dimmer from dark to bright
13	White	000-255	1-100% White linear dimmer from dark to bright
14	CTO	000-255	Linear color temperature control
15	Marco	000-255	Marco color change
16	Static effect	000-255	Each 5 DMX value is a kind of static effect
17	Dynamic effect	000-255	Each 5 DMX value is a kind of dynamic effect
18	Dynamic effect speed	000-255	Speed from slow to fast, pls operate against 15 CH
19	Reserved function		
20	Reserved function		
21	Reserved function		
22	Reserved function		
23	Reset	000-250	No function
		251-255	5 seconds to reset
24	Red dimmer 1	000-255	LED 1 red dimmer
25	Green dimmer 1	000-255	LED 1 green dimmer
26	Blue dimmer 1	000-255	LED 1 blue dimmer
27	White dimmer 1	000-255	LED 1 white dimmer
...
...
96	Red dimmer 19	000-255	LED 19 red dimmer
97	Green dimmer 19	000-255	LED 19 green dimmer
98	Blue dimmer 19	000-255	LED 19 blue dimmer
99	White dimmer 19	000-255	LED 19 white dimmer

Fixture Cleaning

Due to fog residue, smoke, and dust cleaning the internal and external optical lenses and mirror should be carried out periodically to optimize light output. Cleaning frequency depends on the environment in which the fixture operates (i.e. smoke, fog residue, dust, dew). In heavy club use we recommend cleaning on a monthly basis. Periodic cleaning will ensure longevity, and crisp output.

To clean the fixture:

1. Disconnect the fixture from power and allow it to cool for at least 10 minutes.
2. Vacuum or gently blow away dust and loose particles from the outside of the fixture with low-pressure compressed air.
3. Clean the surfaces by wiping gently with a soft, clean lint-free cloth moistened with a weak detergent solution. Do not rub glass surfaces hard: lift particles off with a soft repeated press. Dry with a soft, clean, lint-free cloth or low-pressure compressed air. Remove stuck particles with an unscented tissue or cotton swab moistened with glass cleaner or distilled water.
4. Check that the fixture is dry before reapplying power.

Fuse Replacement

This fuse is located in a fuseholder next to the MAINS OUT socket on the connections panel.

To replace a fuse:

1. Disconnect the fixture from power and allow it to cool for at least 10 minutes.
2. Unscrew the cap of the fuseholder and remove the fuse. Replace with a fuse of the same size and rating only.
3. Reinstall the fuseholder cap before reapplying power.

Troubleshooting

Listed below are a few common problems that you may encounter, with solutions.

The fixture does not work, no light

- Check the connection of power and main fuse. Be sure the external fuse has not blown.
- Measure the mains voltage on the main connector.

No response to the sound

- Make sure the fixture does not receive DMX signal.
- Low frequencies (bass) should cause the unit to react to sound. Tapping on the microphone, quiet or high pitched sounds may not activate the unit.
- Check the sound sensitivity level. Make sure it is not set to a low sensitivity level.

Specifications

Model	B-19
Power supply:	AC100 - 240V, 50/60Hz
Light source:	19 x 15W RGBW LED
Power consumption:	285Watt max.
Color temperature:	Adjustable
Pan:	540°
Tilt:	270°
Zoom:	4° - 60°
Power connection:	PowerCON in & out
Signal connection:	3-pin XLR in & out
DMX channels:	21/23/35/78/92/97/99
Control mode:	DMX, Auto program, Sound, Master-slave
Housing:	Colour black, Plastic
Size:	415 x 275 x 425mm(16.3 x 10.8 x 16.7in)
N.W.:	15kg(33lb)
G.W.:	18kg(40lb)
Enviroment:	IP20

Please note: All information is subject to change without prior notice. 30.05.2022