



Art 50 Spot is a 40W tunable COB LED profile spot. Aluminum housing, fan-free design. With 15° - 30° and 25° - 50° zoom lens optional, color temperature adjustable from 2700K - 6000K. It's an idea product for art gallery, museum, shopping mall.

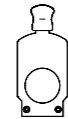
Key features:

- 40W WW + 40W CW constant output LED
- 2700K - 6000K adjustable
- High CRI over 92
- Die-casting aluminum housing, fan-free
- HD optics, 15° - 30°, 25° - 50° zoom lens
- Smooth dimming, flicker free
- Compact body, easy to set up
- DMX control of dimmer, RDM support
- Available in black or white color

Application:

- Museum
- Theatre, church
- Shopping mall
- Art gallery
- Restaurant

Accessories:



Gobo holder

*Gobo size: E-sized, OD 37.5mm, image area 25.4mm



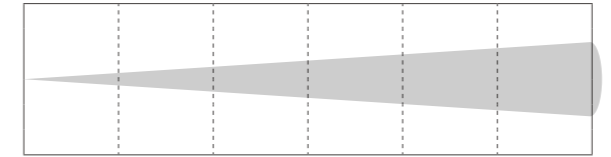
ART 50 SPOT

40W tunable LED profile spot



Photometric 15° - 30°

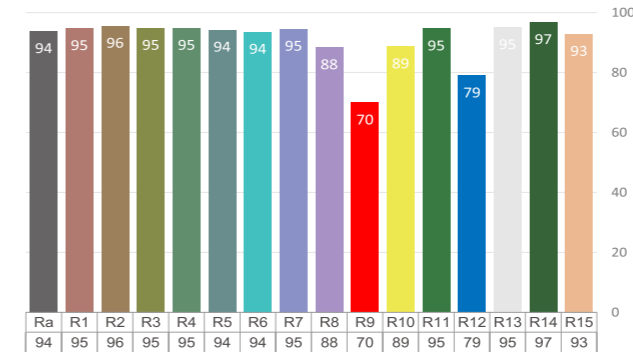
WW(lx)	14300	4060	1490	833	536
CW(lx)	19200	5510	1950	1090	707
Full on (lx)	16000	4310	1630	925	595



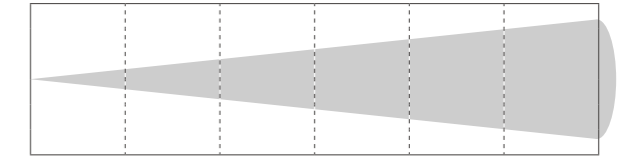
Distance(m)	1	2	3	4	5
Spot Diam(m)	0.32	0.63	0.95	1.25	1.58

Color rendition

Min. Spot - 15°

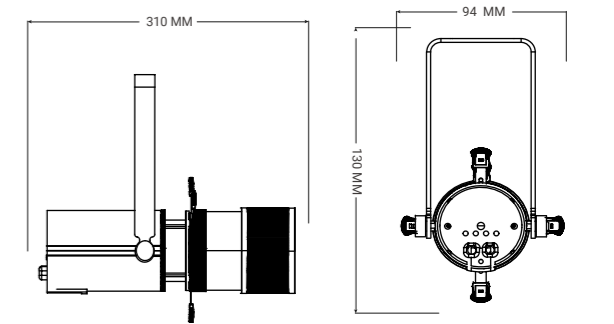


WW(lx)	8040	1840	793	425	225
CW(lx)	11200	2720	1030	581	370
Full on (lx)	9200	2230	905	510	319



Distance(m)	1	2	3	4	5
Spot Diam(m)	0.43	0.86	1.25	1.72	2.15

Max. Spot - 30°



Technical Data

Power supply:	AC100 - 240V, 50/60Hz
Light source:	40W WW + 40W CW LED
Color temperature:	2700K - 6000K adjustable
Zoom range:	15° - 30°, 25° - 50° manual zoom
Color Rendition:	Avg. CRI 92
Power connection:	Dedicated power in
Signal connection:	3-pin XLR in & out
Control channels:	1/2/3/5

Control mode:	DMX, RDM
Housing:	Color black or white, aluminum
Size:	310x 130 x 94mm
N.W.:	1.2 kg
G.W.:	2 kg
Accessories(incl.):	Power cable, Y split DMX cable
Accessories(opt.):	Gobo holder(E-sized), Clamp, Safety rope
Environment:	IP20

THEATRICAL LIGHTING

THEATRICAL LIGHTING